

pISSN 2685-0338 eISSN 2685-1695

JESR

Volume 1, Issue 2, December 2019

JOURNAL OF ENGINEERING AND SCIENTIFIC RESEARCH



Publisher :

Faculty of Engineering, University of Lampung
Jl. Soemantri Brojonegoro No.1 Bandar Lampung – Indonesia
<http://eng.unila.ac.id>

JESR

Journal of Engineering
and Scientific Research

**JOURNAL OF ENGINEERING AND SCIENTIFIC RESEARCH
(JESR)**

pISSN: 2685-0338; eISSN: 2685-1695

<http://jesr.eng.unila.ac.id>

Publisher :

Faculty of Engineering, University of Lampung
Jl. Soemantri Brojonegoro No.1 Bandar Lampung – Indonesia
<http://eng.unila.ac.id>

Patron

[Prof. Suharno](#), [Scopus Author ID: 56100133200] Dean, Faculty of Engineering, Universitas Lampung, Indonesia

[Dr. Irza Sukmana](#), [SCOPUS ID: 35757952700] Vice Dean I, Faculty of Engineering, Universitas Lampung, Indonesia

Chief Editor

[Dr. Joni Agustian](#), [Scopus Author ID: 36672480200] Department of Chemical Engineering, Universitas Lampung, Indonesia

Managing Editor

[Dr. Misfa Susanto](#), [Scopus Author ID: 55820056300] Department of Electrical Engineering, Universitas Lampung, Indonesia

Editorial Board

1. [Prof. Dr. Zuchra Helwani](#), [Scopus Author ID: 26657280800] Universitas Riau, Department of Chemical Engineering, Indonesia
2. [Prof. Dr. Moses Aderemi Olutoye](#), [Scopus Author ID: 25823260600] Chemical Engineering Department, Federal University of Technology, Minna, Niger State, Nigeria
3. [Prof. Azlina Harun Kamaruddin](#), [Scopus Author ID: 6507845299] University Science Malaysia, Malaysia
4. [Dr. Anwaruddin Hisyam](#), [Scopus Author ID: 55502562300] Universiti Malaysia Pahang
5. [Dr. Lilis Hermida](#), [Scopus Author ID: 36607996000] Universitas Lampung, Department of Chemical Engineering, Bandar Lampung, Indonesia
6. [Dr. Asad Muhammad Khan](#), [Scopus Author ID: 24385669700] Department of Chemistry, COMSATS University Islamabad, Abbottabad Campus
7. [Dr. Hazwani Suhaimi](#), [Scopus Author ID: 56467928900] Universiti Brunei Darussalam
8. [Dr. Maizirwan Mel](#), [Scopus Author ID: 23668032700] International Islamic University Malaysia, Malaysia
9. [Dr. John Lau Sie Yon](#), [Scopus Author ID: 55790082100] Curtin University, Malaysia
10. [Dr. Shirley Savettlana](#), [Scopus Author ID: 57195418122] Universitas Lampung, Department of Mechanical Engineering, Bandar Lampung, Indonesia
11. [Dr. Sudibyo, M.Sc.](#), [Scopus Author ID: 55247442800] Lembaga Ilmu Pengetahuan Indonesia (LIPI)
12. [Dr. Khairudin Khairudin](#), Universitas Lampung, Department of Electrical Engineering, Faculty of Engineering, Bandar Lampung, Indonesia
13. [Dr. Eng. Aziz Muhammad](#), [Scopus Author ID: 56436934500] Tokyo Institute of Technology, Japan

Treasury

[Mr. A. Y. Eka Risaono](#), Department of Mechanical Engineering, Universitas Lampung, Indonesia

IT Support

1. [Mr. Gigih Forda Nama](#), Department of Electrical Engineering, Universitas Lampung, Indonesia
2. [Mr. Hery Dian Septama](#), Department of Electrical Engineering, Universitas Lampung, Indonesia
3. [Mr. Afri Yudamson](#), Department of Electrical Engineering, Universitas Lampung, Indonesia

Editorial Team	i
Table of Contents	ii
Preface	iii
Energy Efficient Healthcare Monitoring System using 5G Task Offloading	46
<i>T Sigwele, A Naveed, M Susanto, M Ali, Y F Hu</i>	
Similarity Analyzer for Semantic Interoperability of Electronic Health Records Using Artificial Intelligence (AI)	53
<i>A Naveed, Y F Hu, T Sigwele, G. Mohi-Ud-Din, M Susanto, M Ali</i>	
"MESE" Fundamental as Best Human Interior Designer.....	59
<i>P S Andreas</i>	
Designing Model for Truck Assignment Problem in Beef Delivery Using DBSCAN Algorithm....	64
<i>Paduloh, T Djatna, Muslich, Sukardi</i>	
Smart Home Controlling and Monitoring System using Multiboard Client-Server Internet of Things (IoT).....	68
<i>T P Zuhelmi, S R Sulistiyanti, F X A Setyawan, A R Adnan</i>	
Base Flow Index of Way Seputih River at Buyut Udik	74
<i>A Yusuf, D I Kusumastuti, E P Wahono</i>	
Fabricating and Testing of Porous Magnesium Through Powder Metallurgy Technique using TWSH (Titanium Wire Space Holder) for Biodegradable Bone Scaffold Material	78
<i>I Sukmana, S Savetlana, Y Burhanudin, M A Wicaksono, H Nur</i>	
Social Capital, Entrepreneurship and Rural Development	84
<i>G Prayitno, D S Noor, A R T Hidayat</i>	
Mathematical Model of Improved Reverse Charging of Wireless Internet Pricing Scheme in Servicing Multiple QoS	89
<i>F M Puspita, D R Nur, A L Tanjung, J Silaen, W Herlina, Yunita</i>	
Fractal Hilbert Sensor to Detect Partial Discharge on Transformer	94
<i>H H Sinaga, H B H Sitorus, D Permata, N Soedjarwanto1</i>	

The 2nd edition of JESR 1st volume consists of several articles from various institution from different countries. This issue comes with 10 articles from inter- and multidisciplinary engineering works. Most of the articles are original research in the field of electrical engineering, mechanical and industrial engineering, civil engineering and applied science. Research article in biomedical engineering and architect are also included in the contribution.

We believe this 2nd edition will contribute wider in the area of engineering and scientific research, industrial innovation and community development.

We do hope this issue will provide some significant for the readers.

Your sincerely,

Editorial Boards

Smart Home Controlling and Monitoring System using Multiboard Client-Server Internet of Things (IoT)

T P Zuhelmi¹, S R Sulistiyanti^{1*}, F X A Setyawan¹, and A R Adnan¹

¹Department of Electrical Engineering, Faculty of Engineering, Universitas Lampung, Gd. H Lt. 2, Jl. Prof. Soemantri Brodjonegoro No. 1, Bandar Lampung, 35145, Indonesia

*Email: sr_sulistiyanti@eng.unila.ac.id

Article Information

Received:
16 October 2019

Received in revised form:
18 November 2019

Accepted:
12 December 2019

Volume 1, Issue 2, December 2019
pp. 68 – 73

©Universitas Lampung

<http://dx.doi.org/10.23960/jesr.v1i2.19>

Abstract

An increasing number of crimes in society make people want to take advantage of technological developments to improve their safety and comfort. This paper research the possibilities to make house secure and comfort by using internet of things (IoT) to control and monitor also well known as smart house. This paper using NodeMCU ESP-12E for the IoT controller and smartphone for user to control and monitor house environment. The results shows that the system designs for smart home are promising. The sensors response time for average response time is 2.52 seconds for solenoid door lock, the average responses time for motion detection testing is 2.30 seconds, the average response time for first lamp is 3.71 seconds and 4.37 seconds for second lamp, the average response time is 1.74 seconds for LPG gas leakage, the average response time is 2.59 seconds for front terrace and 2.17 seconds for back terrace.

Keywords: smart home, multiboard client-server, IoT.

I. INTRODUCTION

Nowadays, criminalities in communities are increasing. However, security and comfort are needed for human being mainly in their house. According to BPS statistics there is 352.936 criminal cases during 2015 and increasing in to 357.197 cases in 2016 [1].

Smart home is become well known word for secure, comfort and energy efficient in house. A lot of research has been conducted using latest technology. This paper research the possibilities to made home secure and comfort by using internet of things (IoT) to control and monitor also well known as smart house. The NodeMCU ESP-12E based Internet of Things (IoT) is used as the smart home controller. The focus of this research is how to develop client server communication for multiboard NodeMCU ESP-12E to extend the monitoring and controlling possibilities.

II. LITERATURE REVIEW

The works by [2] develop monitoring system using

BCM 2835. The system using internet-based website for monitoring system and send notification to users by short message service (SMS). The result shows that the monitoring system can be used to monitor the state of internet connection and send notification to networks administrator during failures.

The works by [3] develop smart home system using Raspberry Pi 3 on mobile GSM internet. This research focus on how to control and monitor smart house using mobile devices since the mobile device users are rapidly increased.

The works by [4] develop smart home system using FLIP smart home shield microcontroller. This research develops monitoring and control of household equipment through data transfer and communication using Wi-Fi. The results therefore can be monitored by MQTT websites.

IoT is a concept of communications between things or objects in a small scale. The objects may be a embedded devices or a sensor to sensing and collecting data from environments. Thus, the IoT technologies can be used for smart home implementations.

III. METHODS

This research focuses on home security, comforts, and energy efficiency. The testbed consists of 5 NodeMCU ESP-12E, 1 for server and 4 for clients. The first client is used to monitor and control the home door. The second client is used to monitor and control the state of lamp in the living room. The third client is used to monitor and control the gas, blower is activated when the controller detects the gas level threshold. The fourth client is used to monitor and control the state of lamp in the home terrace. The positions of each controller are depicted in Fig 1.

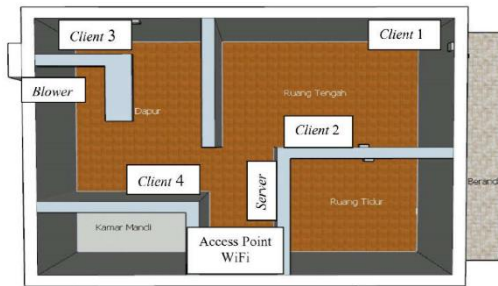


Fig. 1. Controller positions

Therefore, All NodeMCU ESP-12E clients send its collected data to the server board. NodeMCU ESP-12E that positioned as the server board is should connected to network using Wi-Fi. The application based on android in a smartphone then is used to monitor and control the smart home. The data flow and communication of each devices is depicted in Fig 2.

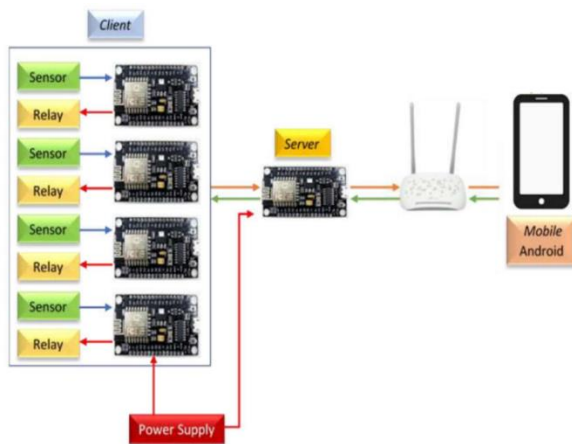


Fig. 2. Data communication models

This tested is used several types of sensors and components as follows:

1. Passive Infra-Red (PIR) HC-SR501 is a motion detection sensor [5].
2. LPG (Liquefied Petroleum Gas) MQ-6 is a sensor to sensing the level of LPG, CH₄, and Propane gas [6].
3. Door magnetic sensor MC-38 is used to sensing the

door state [7].

4. Solenoid Door Lock to control open and close the door.
5. PCF8574 (I²C GPIO Expander) is used for microcontroller I/O Expander using I²C with SDA and SCL line [8].
6. LCD OLED 0.91" I²C is a high-resolution display panel [9].

IV. RESULTS AND DISCUSSION

A. Mobile based monitor and control system

The results of this research are a system of smart home consists of several microcontroller boards in client server configuration that connected with sensors and relays. Each client board sends the data status to the server board. Monitoring and controlling the smart home devices are using mobile application that developed under android by connected to the Wi-Fi. Figure 3 and 4 depicted the monitor and control application.

Fig 3 shows the status of terrace, its monitor the status of terrace lamp, door lock, motion, and alarm status. The monitor the lamp status in the living room and back home terrace. The status of gas leakage in the kitchen is also monitored by system and triggered alarm if the gas leakage is above the threshold. The mobile application also provide menu to control the lamp in each room. Figure 4 shows the management menu to change the access password to mobile application. It is also providing door lock control system to control the door lock from remote area.



Fig. 3. Mobile app monitor and control system



Fig. 4. Management access menu

B. Mobile based monitor and control system

This testing is done to prove the system is working as expected. The testing is done 10 times and also measures the time response. Time response is amount of time that needed to system to response the command initiated by mobile application.

C. Client 1 microcontroller board

1) Solenoid door lock

Client 1 microcontroller board is used to control the solenoid door lock sensor MC-38. The testing is done by give the initial state of the door lock is opened or closed. The, tester then control the door by using mobile application and the time response is noted. Table 1 shows the testing results, it shows that average response time is 2.52 seconds. The door lock final condition after testing also shows the same condition as the expected results conditions. Therefore, the client microcontroller is passed the testing.

Table 1. Solenoid Door (MC-38) Controller Testing

No	Initial condition	Expected condition	Final condition	Response time (s)
1	Closed	Opened	Opened	2.24
2	Closed	Opened	Opened	3.55
3	Closed	Opened	Opened	2.88
4	Closed	Opened	Opened	2.65
5	Closed	Opened	Opened	1.65
6	Opened	Closed	Closed	1.78
7	Opened	Closed	Closed	2.91
8	Opened	Closed	Closed	3.28
9	Opened	Closed	Closed	2.69
10	Opened	Closed	Closed	1.58

2) Motion detection sensors

Motion detection sensors are using HC-SR501. Testing is done with initial condition without motion object, then introduce the motion/moving object in motion sensing area. Feedback from motion sensors until user get the notification in mobile applications is noted as the responses time. Table 2 shows the average responses time for motion detection testing is 2.30 seconds.

Table 2. Motion Detection Hc-Sr501 Response Time

Number of tests	Response time (s)
1	3.80
2	1.85
3	3.02
4	3.09
5	2.64
6	1.85
7	1.29
8	1.78
9	2.03
10	1.65

D. Client 2 microcontroller board

1) Lamp controller

Client 2 is used to monitor and control lamp status in living room. There are 2 main lamps that located inside the home living room. The testing is done 10 times with several condition, expected results and final results and response time is noted. The response time is amount of time that needed to system to response the command initiated by mobile application. Table 3 and Table 4 show the average response time for first lamp is 3.71 seconds and 4.37 seconds for second lamp. The living room lamp final condition after testing also shows the same condition as the expected results conditions.

Table 3. First Living Room Lamp Controller Testing

No	Initial conditions	Expected conditions	Final results	Time response (s)
1	Closed	Opened	Opened	3.44
2	Closed	Opened	Opened	2.62
3	Closed	Opened	Opened	2.87
4	Closed	Opened	Opened	4.61
5	Closed	Opened	Opened	3.10
6	Opened	Closed	Closed	4.83
7	Opened	Closed	Closed	3.26
8	Opened	Closed	Closed	4.71
9	Opened	Closed	Closed	4.99
10	Opened	Closed	Closed	2.76

Table 4. Second Living Room Lamp Controller Testing

No	Initial conditions	Expected conditions	Final results	Time response (s)
1	Closed	Opened	Opened	4.04
2	Closed	Opened	Opened	5.77
3	Closed	Opened	Opened	2.84
4	Closed	Opened	Opened	4.54
5	Closed	Opened	Opened	3.61
6	Opened	Closed	Closed	5.25
7	Opened	Closed	Closed	5.99
8	Opened	Closed	Closed	4.76
9	Opened	Closed	Closed	2.47
10	Opened	Closed	Closed	4.46

Table 6. Front Terrace Lamp Testing

No	Initial conditions	Expected conditions	Final results	Time response (s)
1	Closed	Opened	Opened	2.62
2	Closed	Opened	Opened	2.06
3	Closed	Opened	Opened	2.66
4	Closed	Opened	Opened	2.10
5	Closed	Opened	Opened	2.45
6	Opened	Closed	Closed	2.47
7	Opened	Closed	Closed	2.02
8	Opened	Closed	Closed	2.02
9	Opened	Closed	Closed	3.68
10	Opened	Closed	Closed	3.88

2) Client 3 microcontroller board (LPG gas leakage and blower controller)

Client 3 is used to monitor the LPG gas leakage located in the kitchen. System will notify the user through the mobile application. The system will also control the blower if the gas leakage is above the threshold. The testing is done by give the sensors the LPG gas, the response time when the sensors detect the gas and time needed to notify user on mobile applications is noted. Table 5 shows the average response time is 1.74 seconds.

3) Client 4 microcontroller board (lamp controller)

Client 4 is used to monitor and control lamp status in living room. There is 2 main lamp that located in the front and back home terrace. The testing is done 10 times with several condition, expected results and final results and response time is noted. The response time is amount of time that needed to system to response the command initiated by mobile application. The average response time is 2.59 seconds for front terrace and 2.17 seconds for back terrace.

Table 5. Second Living Room Lamp Controller Testing

No	Number of test-	Response time (s)
1	1	1.38
2	2	1.25
3	3	1.26
4	4	1.38
5	5	1.06
6	6	2.89
7	7	1.58
8	8	1.19
9	9	2.50
10	10	2.88

Table 7. Back Terrace Lamp Controller Testing

No	Initial conditions	Expected conditions	Final results	Time response (s)
1	Closed	Opened	Opened	2.60
2	Closed	Opened	Opened	2.67
3	Closed	Opened	Opened	3.80
4	Closed	Opened	Opened	2.36
5	Closed	Opened	Opened	2.46
6	Opened	Closed	Closed	2.29
7	Opened	Closed	Closed	2.08
8	Opened	Closed	Closed	3.18
9	Opened	Closed	Closed	3.67
10	Opened	Closed	Closed	2.00

V. CONCLUSIONS

From this research results we may conclude that smart home concept using IoT devices in multiboard client-server model is well implemented. The longest response time is generated at the second lamp controller on client 2 of the microcontroller board and the shortest time response is generated by the blower controller and LPG gas leakage on client 3 of the microcontroller board. Further works can be carried out using other micro-controllers that have better microprocessors to reduce response time.

ACKNOWLEDGEMENT

Thanks for the Directorate of Research and Community Service who provided funding through The Master Thesis Research (PTM) 2019 scheme.

REFERENCES

- [1] BPS RI, “Statistik Indonesia 2018,” Badan Pusat Statistik. p. 719, 2018.
- [2] D. Despa, A. Kurniawan, M. Komarudin, Mardiana, and G. F. Nama. (2015). Smart Monitoring of Electrical Quantities Based on Single Board Computer BCM2835. Proceeding of the 2nd International Conference on Information Technologies, Computer, and Electrical Engineering (ICITACEE 2015), IEEE Explorer, pp. 315-320.
- [3] M. B. Nurfaif, S. R. Sulistiyanti, M. Komarudin and G. F. Nama. (2017). Telemetry and tele-control of electronic appliances for smart-home-system. Proceeding of International Symposium on Electronics and Smart Devices (ISESD 2017), IEEE Explorer, pp. 18-23.
- [4] T. Malche and P. Maheshwary. (2017). Internet of Things (IoT) for building smart home system. Proceeding of 2017 International Conference on IoT in Social, Mobile, Analytics and Cloud, I-SMAC Palladam-2017, IEEE Explorer, pp. 65-70.
- [5] Allelectronics, HC-SR501 PIR Motion Detector. Available: <https://www.allelectronics.com>, 2018.
- [6] Hanwei Sensors, 2018. Technical Data MQ-6 Gas Sensor. [Online]. Accessed: www.hwsensor.com, 26 April 2018.
- [7] VSTAR, Magnetic contact. Available [Online]. Accessed: <https://www.hkvstar.com>, 26 April 2018.
- [8] 128 x 32 Graphic OLED, Available [Online]. Accessed: www.vishay.com, 26 April 2018.
- [9] M, A. Heryanto, dan W. Adi P, “Pemrograman Bahasa C untuk Mikrokontroler ATMega8535”. Yogyakarta, Indonesia: Penerbit Andi, 2007, 1st edition, p. 226.